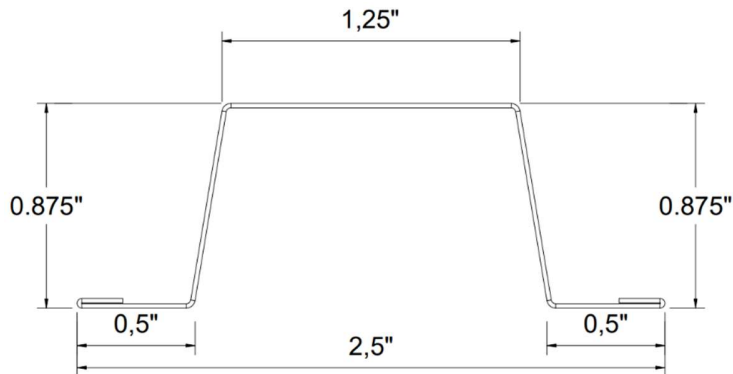


Product Type: Hat Furring Channel
Product Definition: 087F125-30 33ksi
CSI Code: 09.22.16.13



Profile Properties:

Web Depth	0,875 in	Yield Strength:	33 ksi
Flange Width	2,50 in	Cross Sectional Area	0,119 in ²
Design Thickness	0,0312 in	Unit Weight	0,4064 lb/ft
Minimum Thickness	0,0296 in	Finish	G40

Effective Section Properties:

Effective Moment of Inertia for Deflection	I _{xe}	0,014 in ⁴
Allowable Bending Moment	M _a	0,630 in.K

Hat Furring Channel Limiting Ceiling Spans (ft-in):

Load	4 psf			6 psf			13 psf		
	12"	16"	24"	12"	16"	24"	12"	16"	24"
Single	5'-9"	5'-3"	4'-7"	5'-0"	4'-7"	4'-0"	3'-11"	3'-6"	3'-1"
Multiple	7'-4"	6'-8"	5'-10"	6'-5"	5'-10"	5'-1"	4'-11"	4'-6"	3'-11"

Codes & Standards:

- Calculations are based on AISI S220-20 and AISI S100-16.
- Complies with IBC2021, ASTM C645, ASTM C754, ASTM A653, ASTM A1003, ASTM E72
- Intertek Certificate of Compliance No: COC-WHI23-37729201
- LEED / Sustainability Credits: Environmental Product Declaration S-P Code: S-P-00869

Application Areas:

- Furring for walls or ceilings.
- Furring for masonry walls.
- Framing for suspended ceilings.